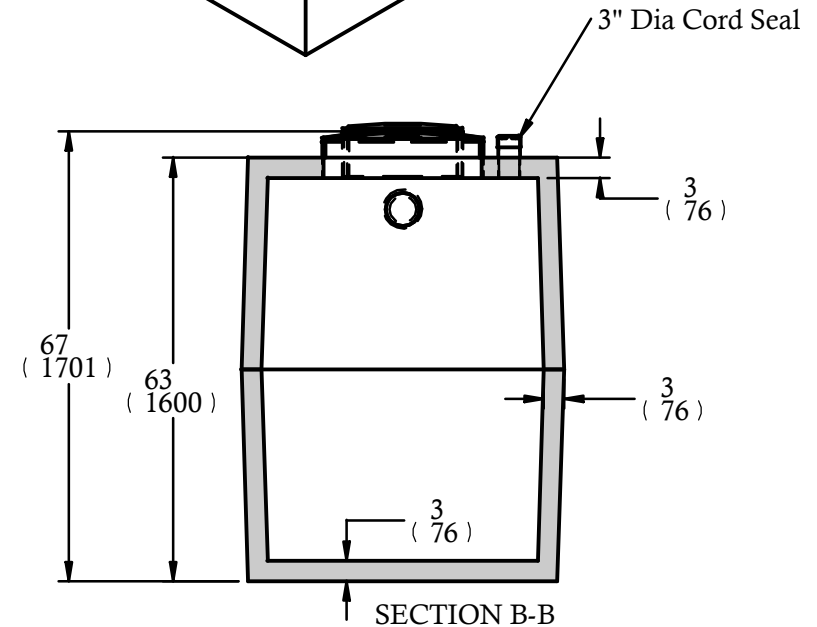
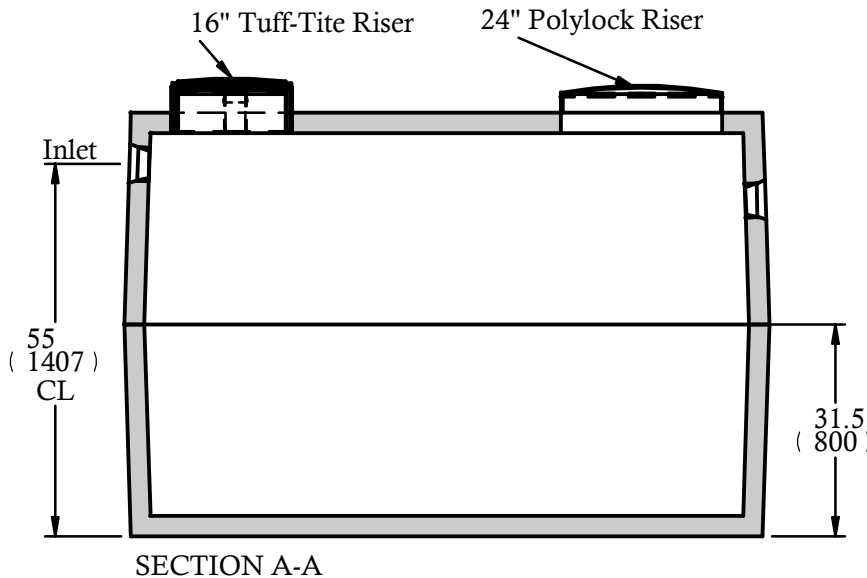
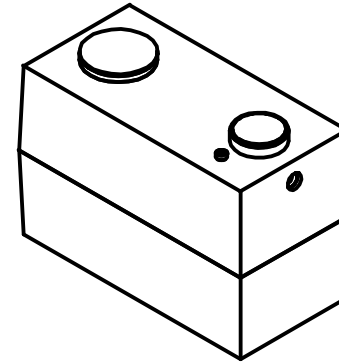
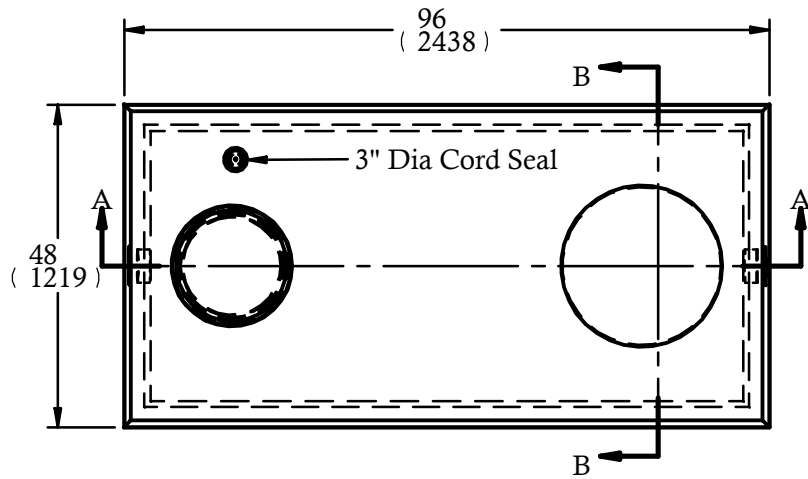


Drawn by: RM
Date: FEB / 2002
REVISIONS:
Feb 2004 - RM
Feb 2005 - RM
Feb 2006 - RM
Dec 2006 - TD
Feb 2007 - TD

Delivery is made by crane-equipped trucks, excavation should be 1ft larger than tank dimensions and be accessible for unloading from the rear of the truck. Min overhead clearance of 18ft is required.



in  
| mm |

**Brooklin**  
CONCRETE

Brooklin (800)655-3430  
Newmarket (888)407-6443  
Huntsville (800)264-3302  
Haliburton (800)273-9084

**CONSTRUCTION SPECIFICATIONS**

Concrete Properties: 4500 PSI (32 MPa) Min Strength  
6-8% Air Entertainment  
Riser cover may be used with extensions  
Inlet Polyseal accepts up to 4" ABS pipe  
18" Plastic (6" Dia) pumpout extension available  
Dimensions in inches and (mm)  
Meets CSA-B66-00  
Reinforcing meets G30.14-M1983

**600 Gallon  
(2700 Litre)  
Pump Tank**

Max Cover: 30"	Unit Weight: 5,500 lbs
Model: 600-1CH-2PC	CPA CERTIFIED
DRAWN BY: TD	DATE: 17 February 2007