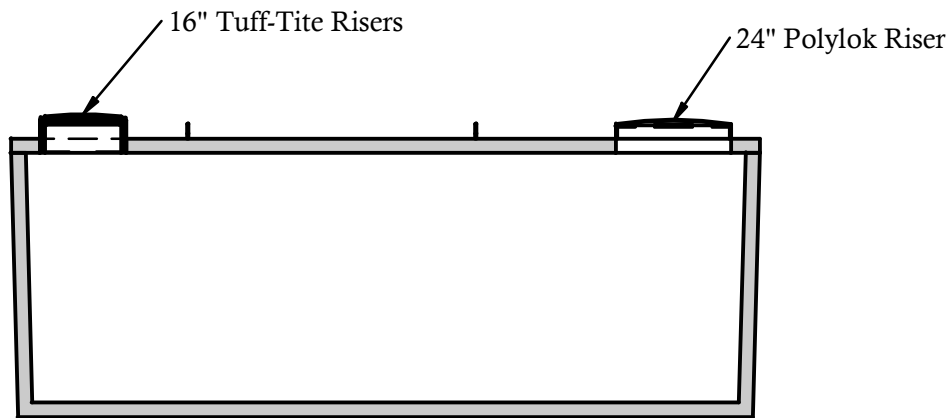
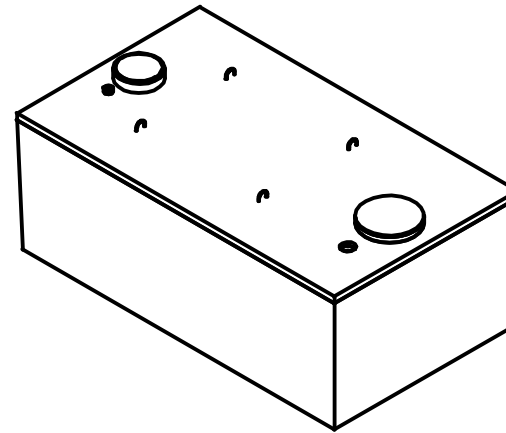
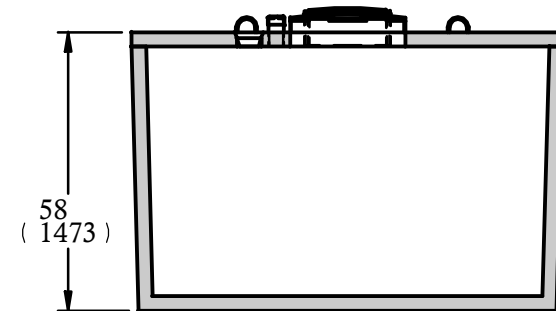


Delivery is made by crane-equipped trucks, excavation should be 1ft larger than tank dimensions and be accessible for unloading from the rear of the truck.  
Min overhead clearance of 18ft is required.

|                  |
|------------------|
| Drawn by: RM     |
| Date: FEB / 2002 |
| REVISIONS:       |
| Feb 2004 - RM    |
| Feb 2005 - RM    |
| Feb 2006 - RM    |
| Feb 2007 - TD    |



SECTION A-A



SECTION B-B in  
| mm |

**Brooklin**  
**CONCRETE**

Brooklin (800)655-3430  
Newmarket (888)407-6443  
Huntsville (800)264-3302  
Haliburton (800)273-9084

**CONSTRUCTION SPECIFICATIONS**

Concrete Properties: 4500 PSI (32 MPa) Min Strength  
6-8% Air Entertainment  
Riser cover may be used with extensions  
Inlet Polyseal accepts up to 4" ABS pipe  
Dimensions in inches and (mm)  
Meets CSA-B66-00  
Reinforcing meets G30.14-M1983

**2000 Gallon  
9000 Litre  
Holding Tank**

**Low  
Height**

|                     |                         |
|---------------------|-------------------------|
| Max Cover: 30"      | Unit Weight: 16,050 lbs |
| Model: 2000-1CH-1PC | CPA CERTIFIED           |
| DRAWN BY: TD        | DATE: 18 February 2007  |