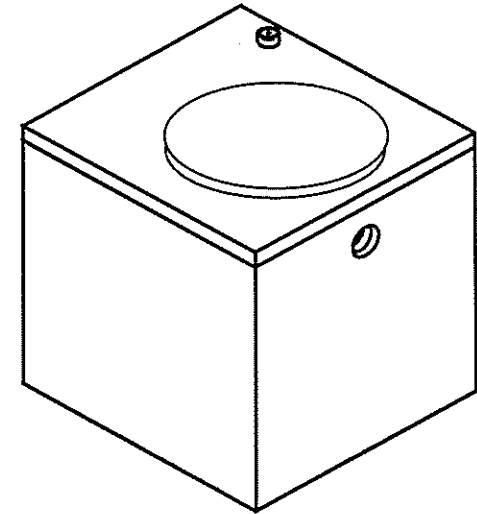
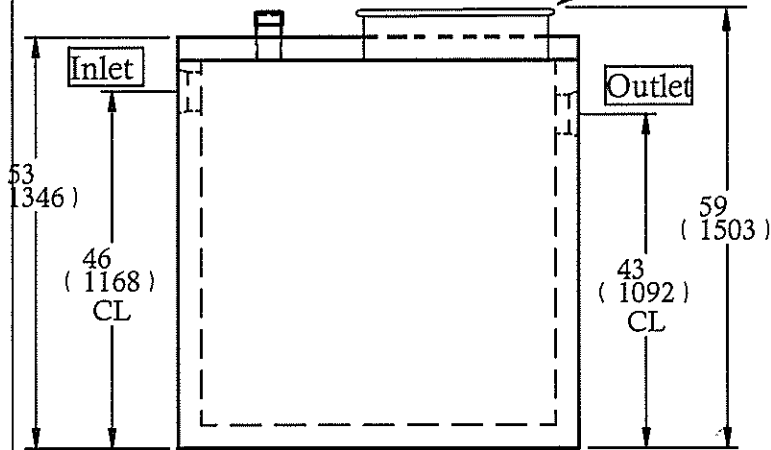


Delivery is made by crane-equipped trucks, excavation should be 1ft larger than tank dimensions and be accessible for unloading from rear of the truck. Min overhead clearance of 18ft is required.

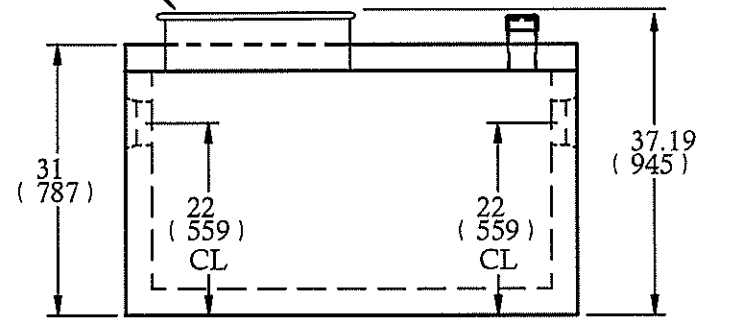


24" Tuff-Tite Riser
Grade Extension Available
In 6" and 12" Increments



300 Gallon (1365 Litres)
Unit Weight: 3,650 lbs

Max Cover: 30"



150 Gallon (680 Litres)
Unit Weight: 2,400lbs

in
| mm |



Brooklin (800)655-3430
Newmarket (888)407-6443
Huntsville/Haliburton (800)264-3302

CONSTRUCTION SPECIFICATIONS

Concrete Properties: 4500 PSI (32 MPa) Min Strength
6-8% Air Entrainment

Riser cover may be used with extensions
Inlet & Outlet Polyseals accept up to 4" ABS pipe

**300 & 150 Gal.
Pump Chambers**

DRAWN BY: RM

DATE: 26 Feb/2007