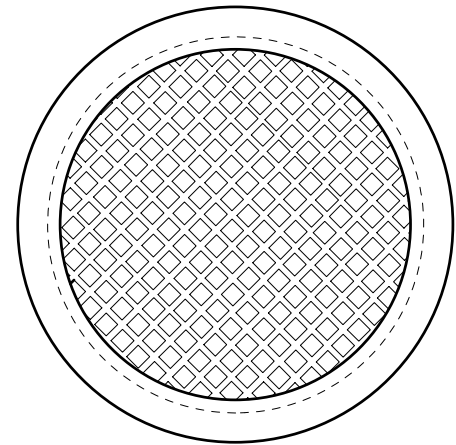


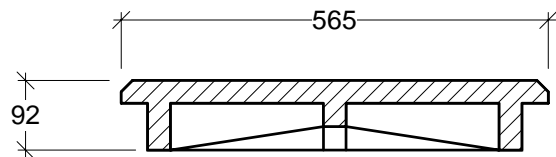
**Plan View - Frame**



**Plan View - Cover**



**Section View - Frame**



**Section View - Cover**

**General Notes:**

- Suitable for installation in roadways
- Site installation is the responsibility of others
- Custom marking of cover available (Electrical, Water, etc.)
- Available in Ductile Iron

**C18 Cast Iron Frame and Cover**

**Scale 1:10 mm**

**Frame Weight: 109 kgs / 240 lbs**

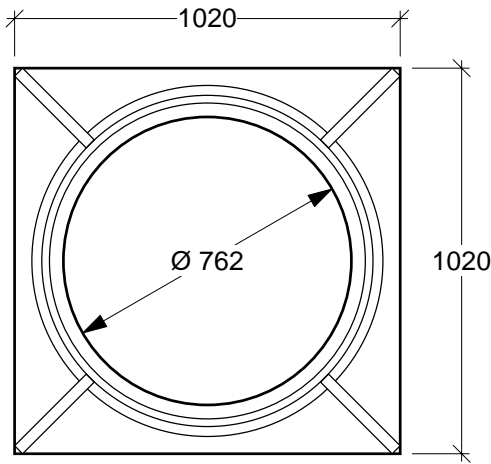
**Cover Weight: 63 kgs / 140 lbs**

**Rev: 28Jun08**

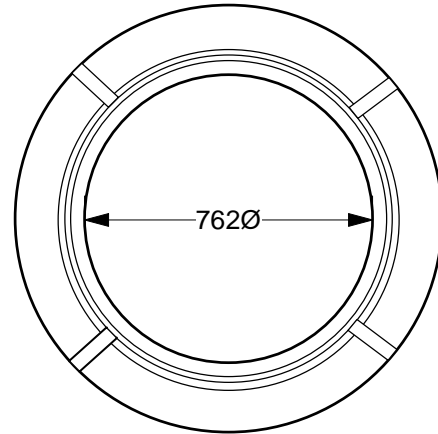
**Dwg#: MHFC-96-0610-C**



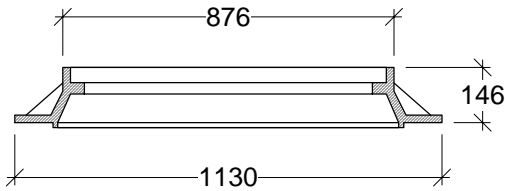
**A.E. CONCRETE**  
 Con-Force Division of Armtec Limited Partnership  
**Office:** 19060 - 54th Ave. Surrey, BC V3S 8E5  
 Tel (604) 576-1808 Fax (604) 576-2454  
**Shipping:** 5353 - 192nd St. Surrey, BC V3S 8E5  
 Website: www.ae-concrete.com



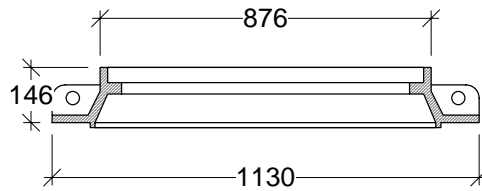
**Plan View - Square Frame**



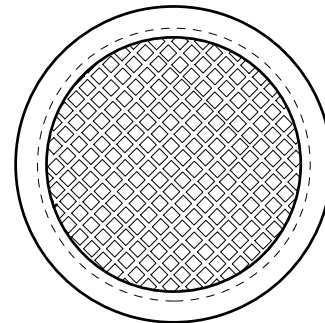
**Plan View - Frame**



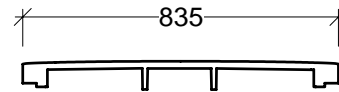
**Section View - Square Frame**



**Section View - Frame**



**Plan View - Cover**



**Section View - Cover**

**General Notes:**

- Suitable for installation in roadways
- Site installation is the responsibility of others
- Custom marking of cover available (Electrical, Water, etc.)
- Available in Ductile Iron

**C23 Cast Iron Manhole Frame and Manhole Cover**

**Scale 1:10 mm**

**Frame Wgt: 154 kgs / 340 lbs**

**Cover Wgt: 109 kgs / 240 lbs**

**Rev: 28Jun08**

**Dwg#: MHFC-97-0760-C**



**A.E. CONCRETE**  
 Con-Force Division of Armtec Limited Partnership  
**Office:** 19060 - 54th Ave. Surrey, BC V3S 8E5  
 Tel (604) 576-1808 Fax (604) 576-2454  
**Shipping:** 5353 - 192nd St. Surrey, BC V3S 8E5  
 Website: www.ae-concrete.com