

SOIL RETENTION /

BIN-WALL



A VERSATILE GRAVITY RETAINING WALL SYSTEM MADE OF RUGGED GALVANIZED STEEL COMPONENTS AND GRANULAR BACKFILL

BIN-WALL

Armtec's Bin-Wall is an extremely versatile gravity retaining wall system made of rugged galvanized steel components. The system consists of adjoining, closed-face steel bins filled with compacted granular material. It is designed to the height and depth needed to resist overturning and sliding forces typical of gravity wall systems. The unique design enables Bin-Wall to adjust to minor ground movement without cracking or bulging.

Standard factory components can be used to construct walls with heights of up to 10 metres. Walls can be installed on side or lateral slopes, curves and where there are changes in elevation, either above or below the wall. All connections are bolted on-site.

Versatile

Sectional layout provides flexibility in configuring walls

Rapid installation

Can be installed with light equipment

Performance

Withstands temperature variations and effects of ice and snow

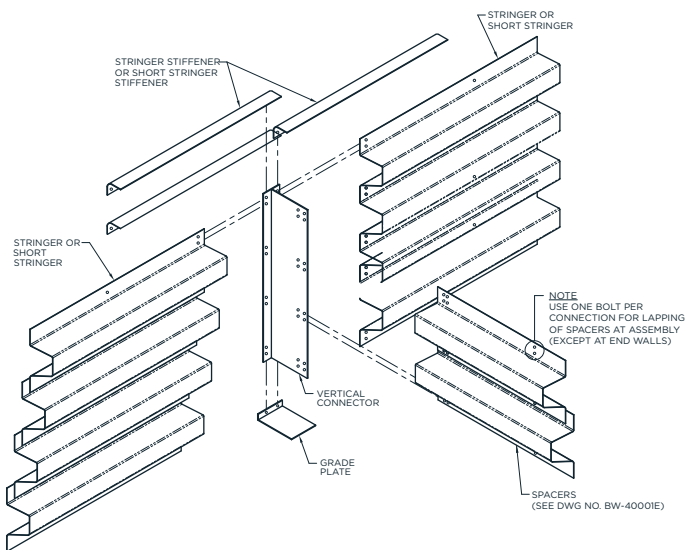
Economical shipping

Fully nested parts allow for economical shipment over long distances

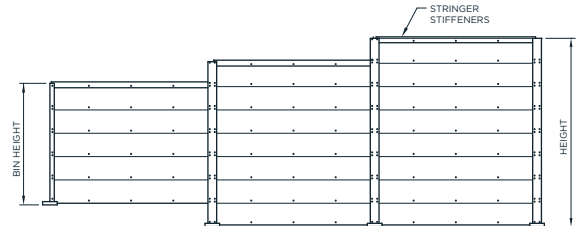
TYPICAL APPLICATIONS

- Road or rail retaining walls
- Loading ramps
- Bridge abutments
- Docks and piers at freshwater marinas
- Solid waste transfer units
- Aircraft blast walls (military applications)
- Industrial development

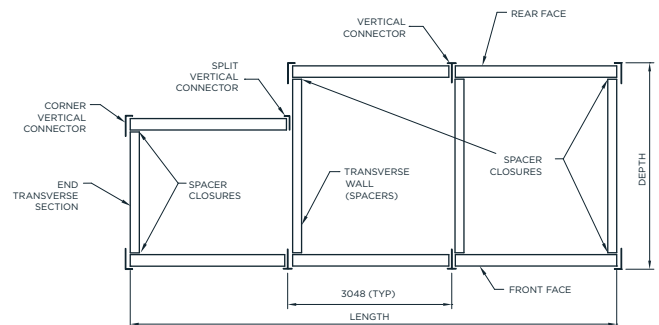
EXPLODED ISOMETRIC (INSIDE VIEW OF FRONT FACE)



ELEVATION (FRONT FACE OF WALL)



PLAIN VIEW



Drawings and product details are for information and/or illustrative purposes only and may vary. Please contact your Armtec representative for the most current product information.



Armtec is a leading Canadian infrastructure and construction materials company combining creative engineered solutions, relevant advice, dedicated people, proven products and a national presence with a local focus on exceptional customer service.

1-877-5-ARMTEC | ARMTEC.COM