

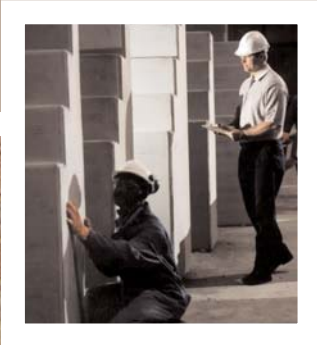
CONCRETE PRODUCTS *Building with you*



Standard Precast Steps

BETTER THAN WOOD. BUILT TO LAST.

- Cost effective
- Long lasting
- Maintenance free
- Year round inventory
- Consistent plant cast quality
- Dependable delivery



- BRACKETS
- CUSTOM STEPS & DECKS
- STANDARD STEPS**
- PAVING STONES
- PILLAR CAPS & COPINGS
- WINDOW WELLS
- RETAINING WALLS
- SIDEWALK BLOCKS
- SOUND BARRIERS
- SPLASH PADS
- FENCING

Standard Precast Steps

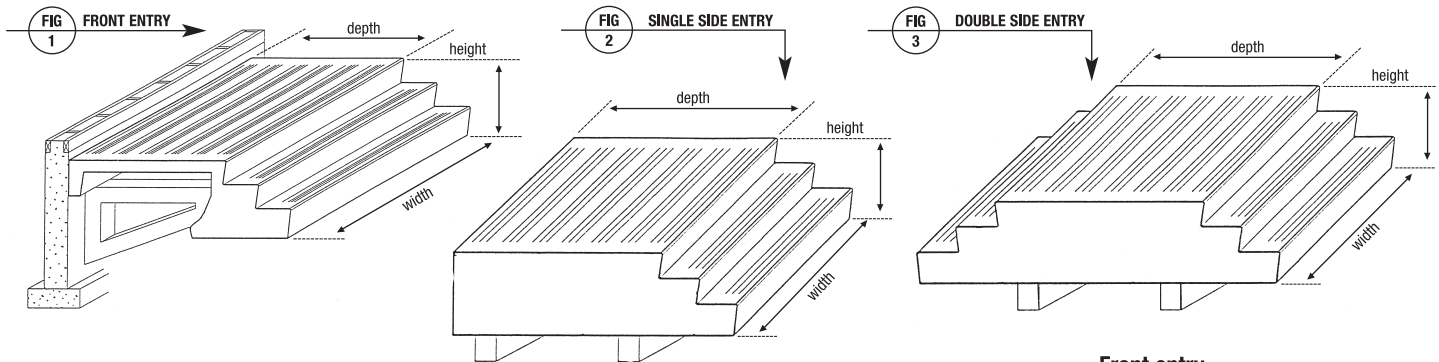
Building with you At Con-Force we've been building with our customers and communities for more than 90 years. The experience and dedication of our estimators, order desk, service and installation personnel is unmatched. Con-Force people are there for you every step of the way.



Specifications

Con-Force steps are made using high strength air-entrained concrete that conforms to current CAN/CSA A23.1 standards and all standard building codes. They are reinforced with deformed rebar, welded wire mesh and polypropylene fibers.

★ All Con-Force steps are installed using precast support brackets to eliminate sinking and shifting.



FRONT, SINGLE SIDE AND DOUBLE SIDE ENTRY STEPS

AVAILABLE WIDTHS mm (in)	1 RISER HEIGHT mm (in)	2 RISER HEIGHT mm (in)	3 RISER HEIGHT mm (in)	4 RISER HEIGHT mm (in)	5 RISER HEIGHT mm (in)	6 RISER HEIGHT mm (in)	7 RISER HEIGHT mm (in)
FRONT							
1200 (48)	230 (9)	415 (16 ¹ / ₄)	600 (23 ³ / ₄)	785 (31)	970 (38 ¹ / ₄)		
1500 (60)	230 (9)	415 (16 ¹ / ₄)	600 (23 ³ / ₄)	785 (31)	970 (38 ¹ / ₄)	1155 (45 ¹ / ₂)	1340 (52 ³ / ₄)
1600 (63)	230 (9)	415 (16 ¹ / ₄)	600 (23 ³ / ₄)	785 (31)	970 (38 ¹ / ₄)	1155 (45 ¹ / ₂)	
1800 (71)	230 (9)	415 (16 ¹ / ₄)	600 (23 ³ / ₄)	785 (31)	970 (38 ¹ / ₄)	1155 (45 ¹ / ₂)	
2000 (78 ³ / ₄)	230 (9)	415 (16 ¹ / ₄)	600 (23 ³ / ₄)	785 (31)	970 (38 ¹ / ₄)		
2100 (82 ³ / ₄)	230 (9)	415 (16 ¹ / ₄)	600 (23 ³ / ₄)	785 (31)	970 (38 ¹ / ₄)		
2400 (94 ¹ / ₂)	230 (9)	415 (16 ¹ / ₄)	600 (23 ³ / ₄)	785 (31)	970 (38 ¹ / ₄)		
3000 (118)	230 (9)	415 (16 ¹ / ₄)	600 (23 ³ / ₄)	785 (31)	970 (38 ¹ / ₄)		
DOUBLE AND SINGLE SIDE							
1070 (42 ¹ / ₈)		415 (16 ¹ / ₄)	600 (23 ³ / ₄)	785 (31)*			
1200 (47 ¹ / ₄)		415 (16 ¹ / ₄)	600 (23 ³ / ₄)	785 (31)	970 (38 ¹ / ₄)		

* Double entry only

Front entry

The depth of landing on front entry steps is 1200 mm (47¹/₄”).

Single side entry

Depth of landing on all side entry steps is 1500 mm (59”).

Double side entry

Depth of landing on one to four rise steps is 1500 mm (59”).
Five rise steps is 1200 mm (47¹/₄”).

Dimensions

All dimensions provided are +/- 5 mm (1/4”).
Weights available by request.
Riser height = 185 mm (7¹/₄”).
Tread depth = 295 mm (11¹/₂”).
Bottom riser height = 235 mm (9¹/₄”).
The extra height on the bottom riser ensures that the step is below the finished grade of the walkway.



Fast Track to Success

Con-Force's unique **Fast Track System** gives you peace of mind. From the moment you order to the day we deliver and install, our system controls every detail of your order and provides you with up to the minute information. It's just another way we demonstrate our commitment to customer service.

Concrete Leadership

Our wide variety of precast concrete, packaged concrete, and concrete landscaping products are designed with you in mind and, often to your specific requirements.

Because we know you need reliability and quality, our residential and commercial precast plants and state-of-the-art packaging plant operate year-round in a tightly controlled environment.

Con-Force Concrete Products joins a group of companies dedicated to providing concrete products to industries across Canada. We have 7 manufacturing facilities in Western Canada dedicated to producing various concrete products. Con-Force as a whole is a part of the ARMTEC Limited Partnership which is a conglomerate of companies across Canada.

CON-FORCE Concrete Products

Calgary 403 279 8161
Edmonton 780 960 3204
Toll-Free 1 800 486 4917

www.CON-FORCE.com