

Precast Stairwells

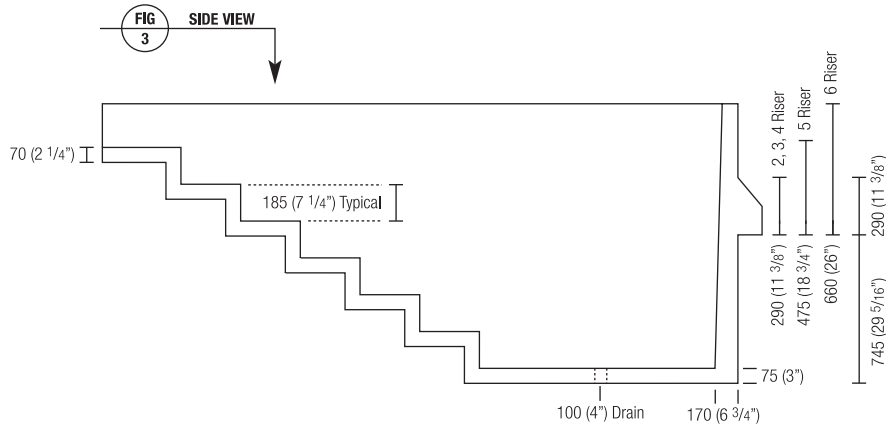
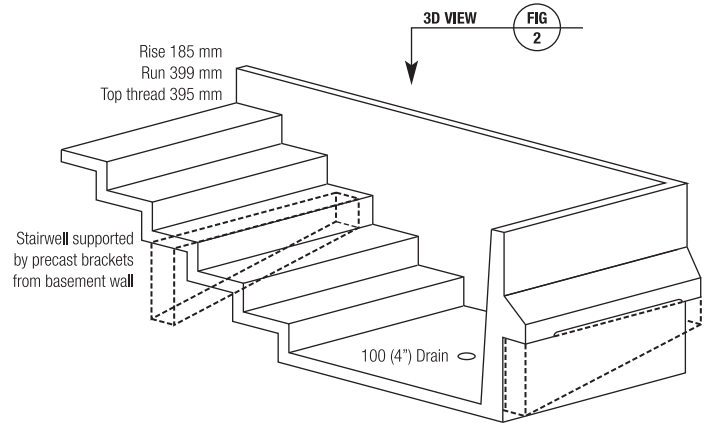
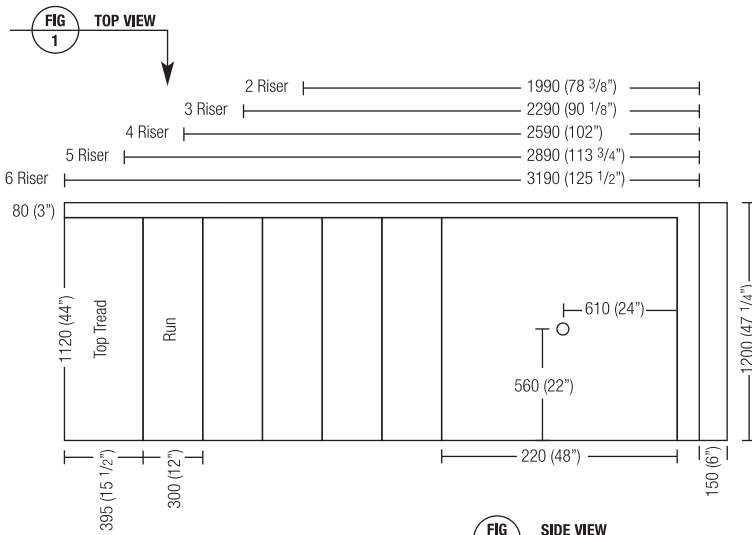
Building With You At Con-Force we've been building with our customers and communities for more than 50 years. The experience and dedication of our estimates, order desk, service and installation personnel is unmatched. Con-Force people are there for you every step of the way.



Specifications

Con-Force Stairwells are made using high strength air-entrained concrete that conforms to current CAN/CSA A23.1 standards and all standard building codes. They are reinforced with deformed rebar, welded wire mesh and polypropylene fibers.

★ *Stairwells are installed using precast support brackets to eliminate sinking and shifting.*



Fast Track to Success

Con-Force's unique Fast Track System gives you piece of mind. From the moment you order to the day we deliver and install, our system controls every detail of your order and provides you with the up to the minute information. It's just another way we demonstrate our commitment to customer service.

Concrete Leadership

Our wide variety of precast concrete, packaged concrete, and concrete landscaping products are designed with you in mind and, often to your specific requirements.

Because we know you need reliability and quality, our residential and commercial precast plants and state-of-the-art packaging plant operate year-round in a tightly controlled environment.

Con-Force Concrete Products joins a group of companies dedicated to providing concrete products to industries across Canada. We have 7 manufacturing facilities in Western Canada dedicated to producing various concrete products. Con-Force as a whole is a part of the ARMTEC Limited Partnership which is a conglomerate of companies across Canada.

Con-Force Concrete Products

Calgary 403 279 8161
Edmonton 780 960 3204
Toll-Free 1 800 486 4917

www.CON-FORCE.com